

1. DESIGN REFERENCE

- a. CODE OF PRACTICE FOR STRUCTURAL USE OF STEEL, 2011, B.D. H.K.
- b. CODE OF PRACTICE FOR STRUCTURAL USE OF GLASS, 2018, B.D. H.K.
- c. CODE OF PRACTICE ON WIND EFFECTS IN HONG KONG 2019, B.D. H.K.
- d. CODE OF PRACTICE FOR STRUCTURAL USE OF CONCRETE 2013, B.D. H.K.
- f. BRITISH STANDARD - STRUCTURAL USE OF ALUMINIUM BS8118:1991
- g. BUILDING (CONSTRUCTION) REGULATIONS
- h. STRUCTURAL DESIGN OF STAINLESS STEEL (SCI PUBLICATION 291)

2. GLASS

- a. TP10+12A+TP10mm SILVER GREY GLASS PANEL GLASS W/LOW-E COATING ON SURFACE (GL-01)
- b. DEFLECTION LIMIT : SPAN/60  
PERMISSIBLE STRESS OF TEMPERED GLASS = 50 N/mm<sup>2</sup>  
YOUNG'S MODULUS, E = 73 kN/mm<sup>2</sup>  
DENSITY OF GLASS = 2600 kg/m<sup>3</sup>
- c. GASKETS: DENSE : NEOPRENE - 60 : 5 DURO - FOR SOLID PROFILES  
- 75 : 5 DURO - FOR HOLLOW PROFILES
- d. SETTING BLOCKS : NEOPRENE (DURO)  
150mm LONG AT QUARTER POINT OF GLASS
- e. 100% HEAT SOAK TESTING FOR ALL TEMPERED GLASS  
THE QUALITY CONTROL ON THE FABRICATION OF INSULATED GLASS UNIT SHOULD STRICTLY FOLLOW THE RECOMMENDATION OF ASTM E773.
- f. ALL GLASS PANEL COMPLY TO B.S. 952

3. DESIGN CRITERIA

- a. -WIND LOAD  
THE BASIC DESIGN PRESSURE : 2.37 kPa  
TOPOGRAPHY FACTOR, S<sub>a</sub> = 1.3  
2.37 x 1.0 x 1.3 = 3.08 kPa (COMPRESSION)  
2.37 x 1.4 x 1.3 = 4.31 kPa (SUCTION)  
- IMPACT LOAD  
- 3kN/m At 1.1m ABOVE FFL.  
- UDL LOAD = 1.5 kN/m<sup>2</sup>  
- POINT LOAD = 1.5kN
- b. CONCRETE  
MINIMUM COMPRESSIVE f<sub>c</sub>' = 60 MPa AT 28 DAYS STRENGTH

FOR REFERENCE ONLY

4. STRUCTURAL STEEL

- a. B.S. EN. 10210 FOR STEEL HOLLOW GRADE S275 J0 CLASS 1.
- b. B.S. EN. 10025 FOR OTHER STRUCTURAL STEEL GRADE S275 J0 CLASS 1.
- c. ALL MILD STEEL BRACKETS TO BE SECURED BY WELDING TO B.S. EN. 1011  
ALL FILLET WELD TO BE 4mm THK, UNLESS OTHERWISE STATED.
- d. MAKE GOOD DAMAGE TO ZINC COATINGS AND GALVANISING, TREAT CUT ENDS OF GALVANISED SECTIONS WITH TWO COATS OF METALLIC ZINC-RICH PRIMING
- e. ALL STRUCTURAL MILD STEEL WORKS AND BRACKETS, ETC. FOR FIXING SHALL BE HOT-DIP GALVANIZING OF ZNC PAINT TO B.S. 4652:1995  
COMPLYING WITH B.S. E.N. ISO 1461 WITH 85 MICRONS THICKNESS.

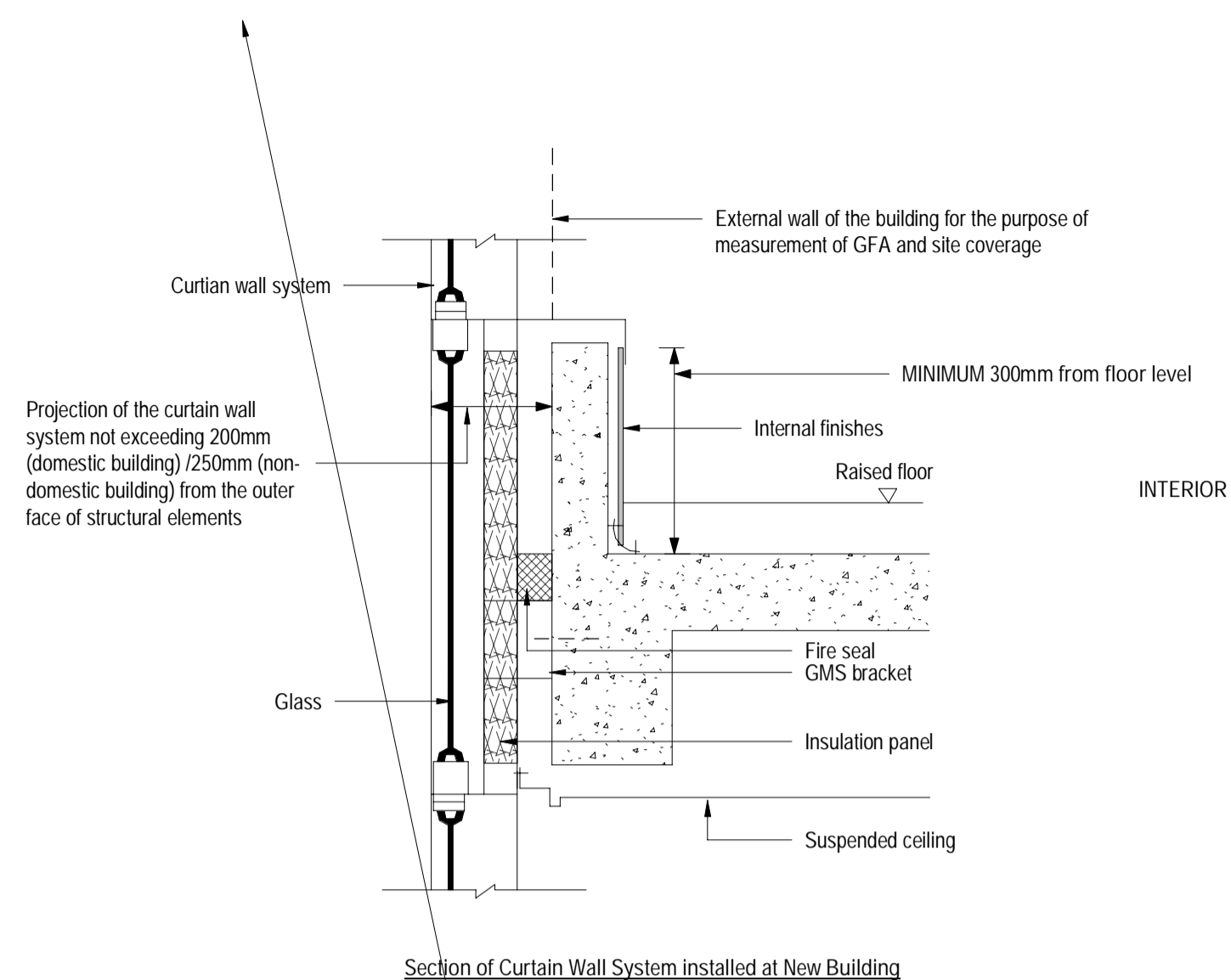
5. ANCHOR BOLT

- 1) THE INSTALLATION OF ANCHOR BOLTS SHALL STRICTLY IN ACCORDANCE WITH THE MANUFACTURER'S SPECIFICATIONS
- 2) THE MINIMUM EMBEDMENT, SPACING & EDGE DISTANCE FOR THE VARIOUS TYPES OF ANCHOR BOLTS USED ARE AS FOLLOWS:

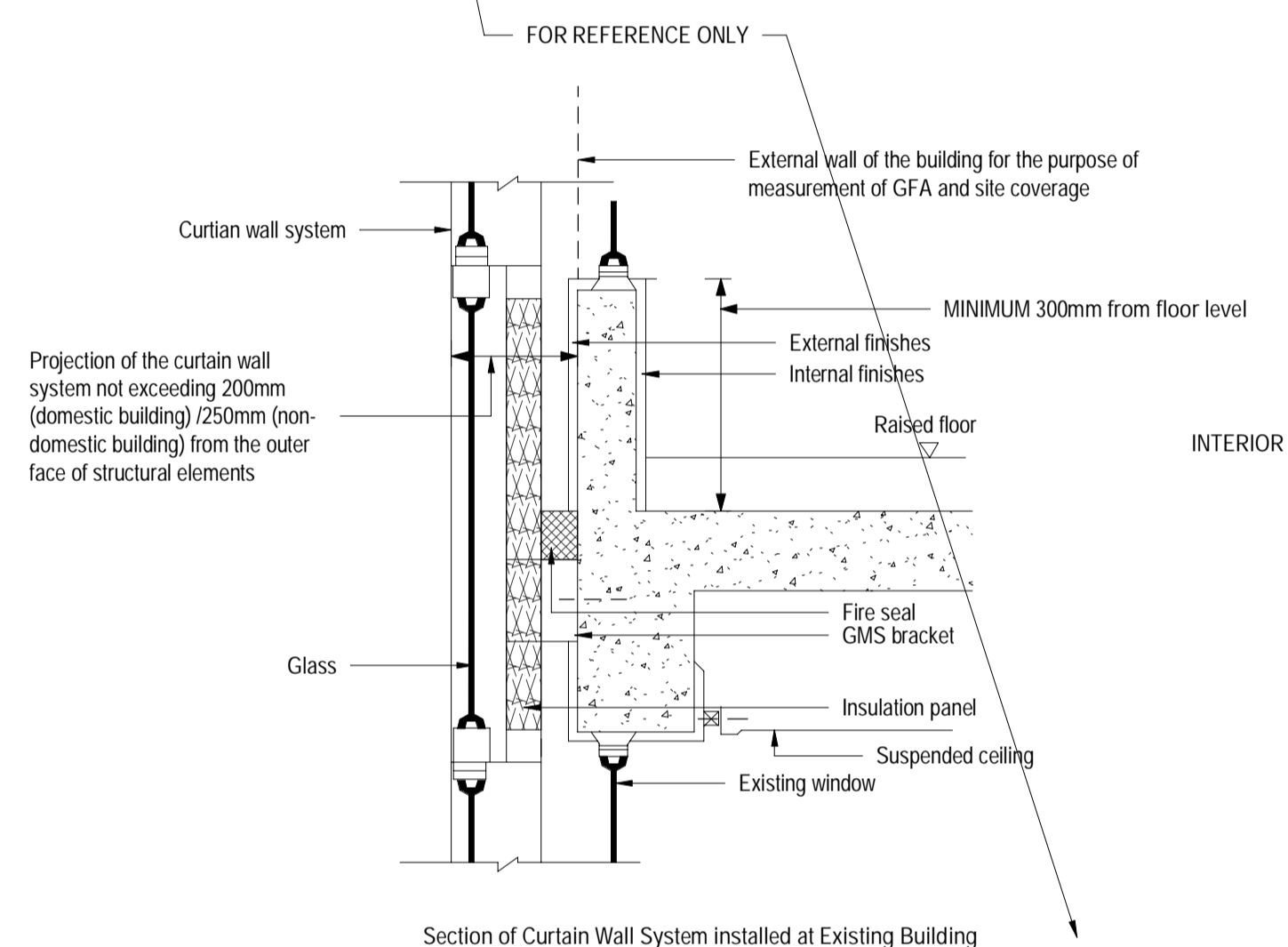
BD REFERENCE NO.	"HILT" "H3T30R"	MIN. SPACING	MIN. EDGE DISTANCE	EFFECTIVE EMBEDMENT LENGTH	BASE MATERIAL THICKNESS	TENSILE (kN)	SHEAR (kN)	TEST LOAD (kN) TENSILEx1.5

6. ALLOWABLE TOLERANCE:

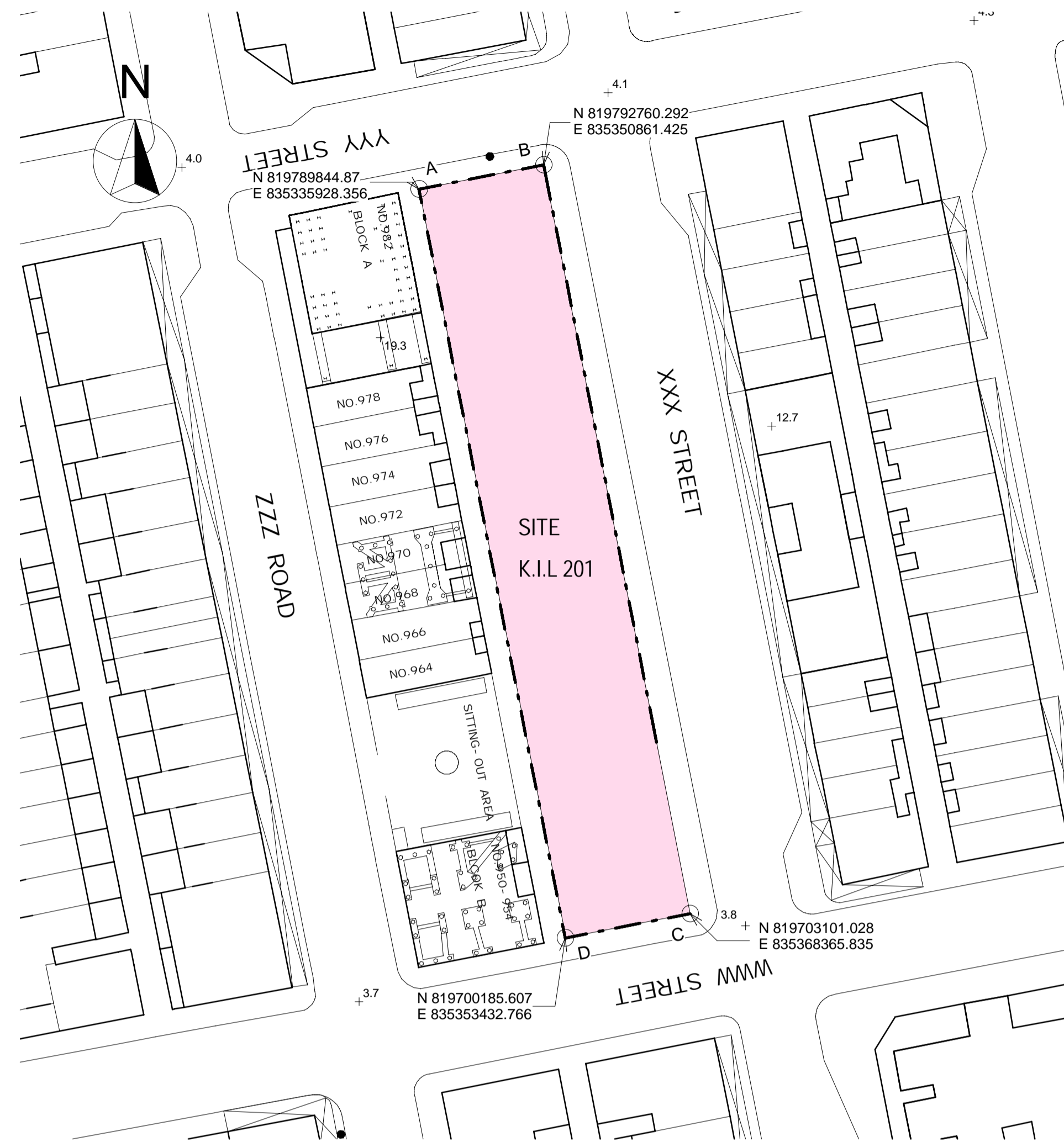
ALLOWABLE TOLERANCE OF THE POSITIONING OF WINDOW SUPPORTS AND ARRANGEMENTS IS ±25mm



Section of Curtain Wall System installed at New Building



Section of Curtain Wall System installed at Existing Building



BLOCK PLAN  
1 : 500

BD REF :

BIM REF :

REV DATE AMENDMENT

PROJECT  
CIC SAMPLE PROJECT

DRAWING TITLE  
CURTAIN WALL GENERAL NOTES

SCALE

DRAWING NO. C001 REV. NO.

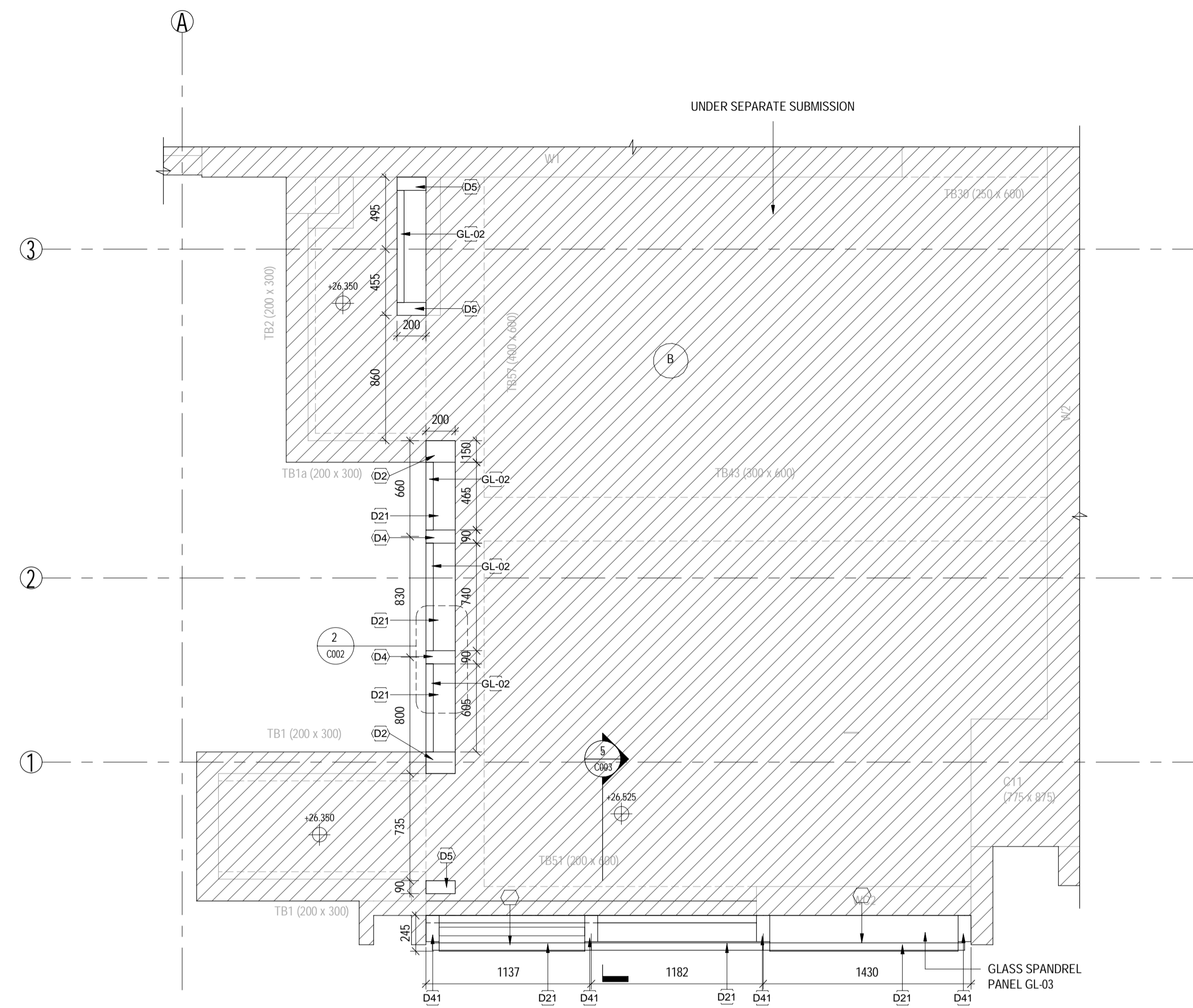
SOURCE ---

90mm (W) x 40mm (H) space  
for COMPANY LOGO

90mm (W) x 60mm (H) space  
for AP/RSE/RGE's  
signature/ and stamp chop

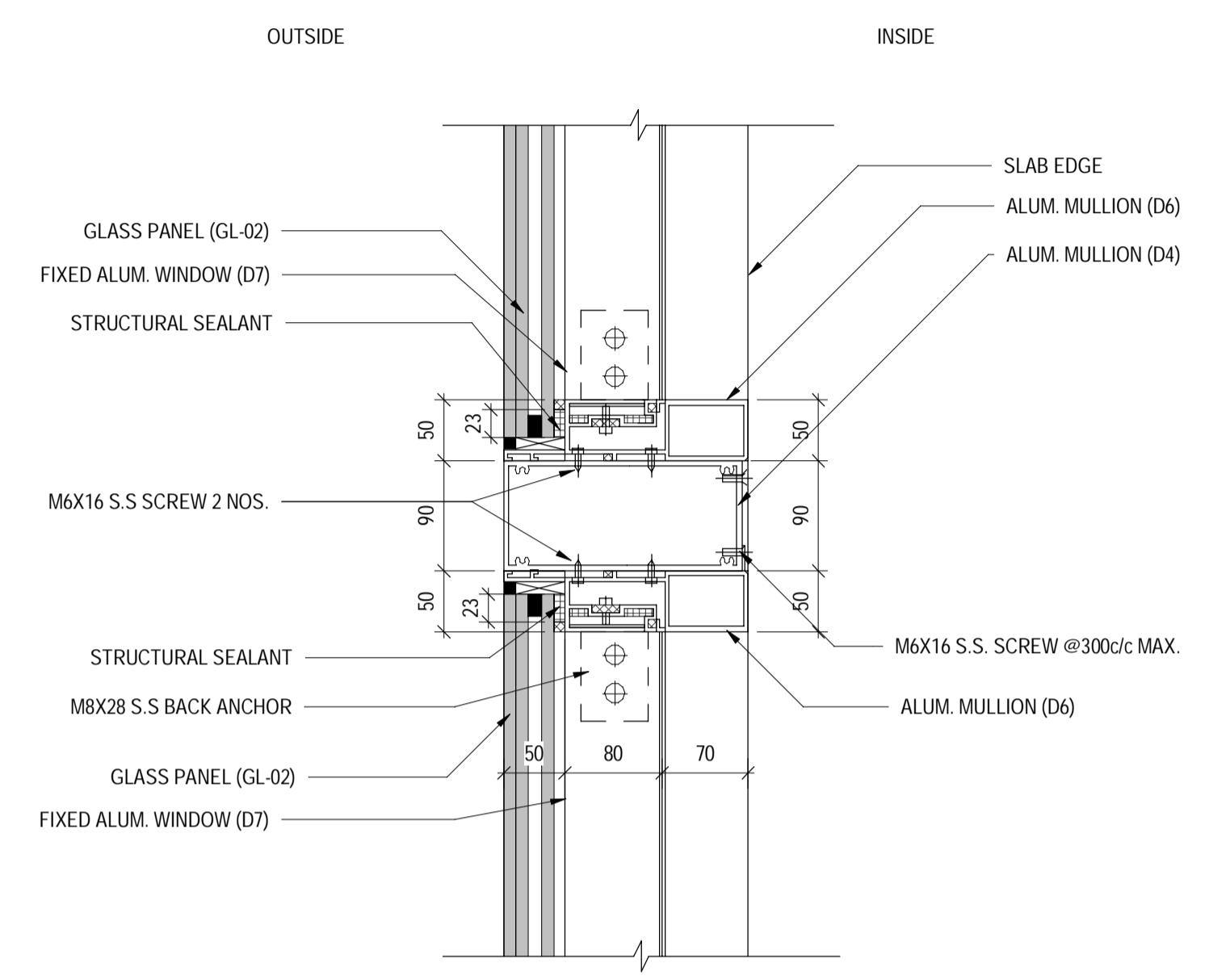
BD'S OFFICIAL USE

90mm (W) x 150mm (H) space  
for BD's approval stamp /  
certification of copies of  
approved plans  
(PNAP ADM-10 APP A)



1 **5/F CURTAIN WALL LAYOUT PART PLAN (FLAT B)**  
1:25

NOTES:  
1. ALL CONCRETE ELEMENTS ARE UNDER SEPARATED SUBMISSION



2 **TYPICAL MULLION FIXING DETAIL**  
1:5

BD REF :

BIM REF :

REV	DATE	AMENDMENT

PROJECT  
CIC SAMPLE PROJECT

DRAWING TITLE  
CURTAIN WALL LAYOUT PART PLAN

SCALE

DRAWING NO. **C002** REV. NO.

SOURCE ---

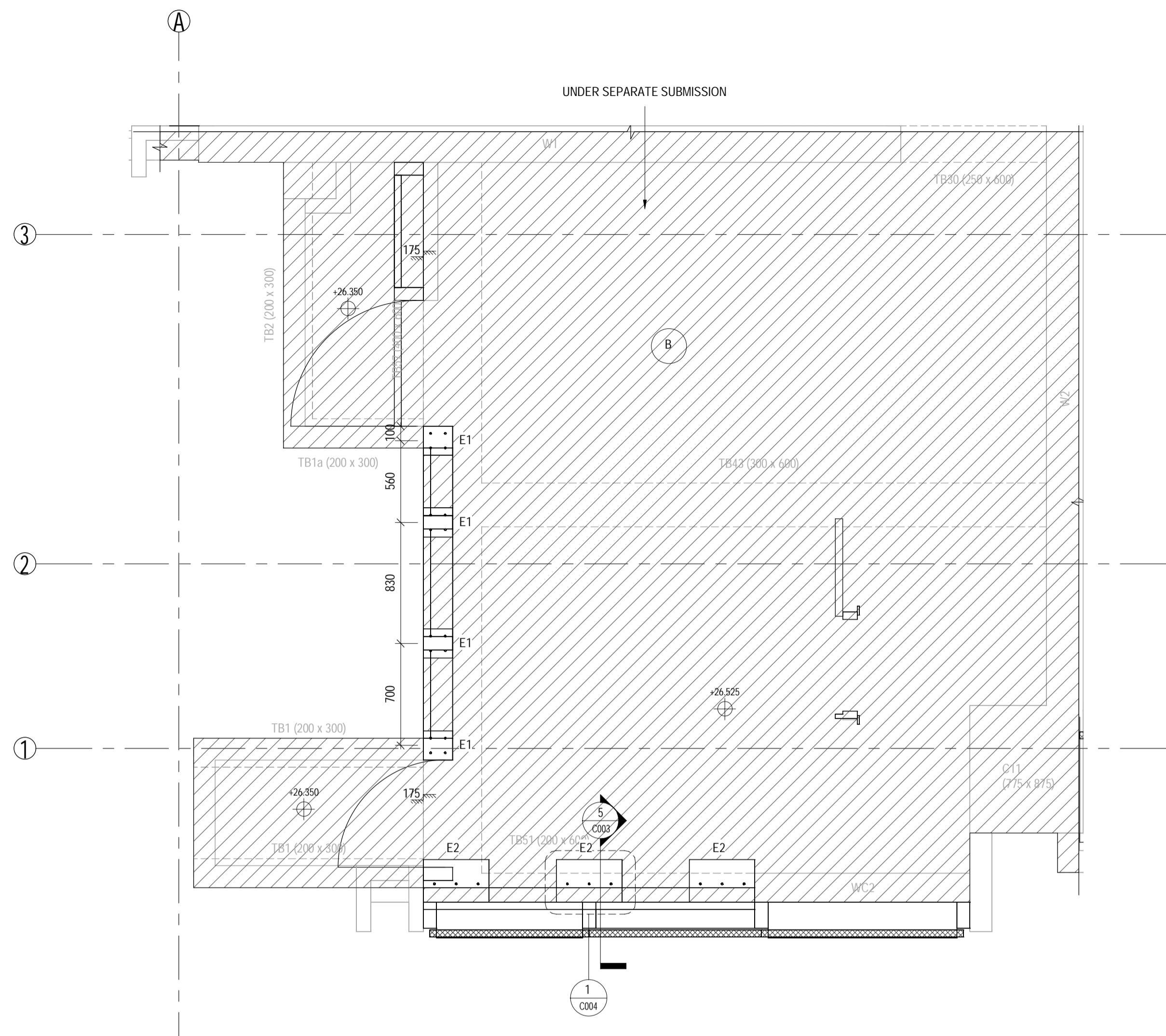
90mm (W) x 40mm (H) space  
for COMPANY LOGO

90mm (W) x 60mm (H) space  
for AP/RSE/RGE's  
signature/ and stamp chop

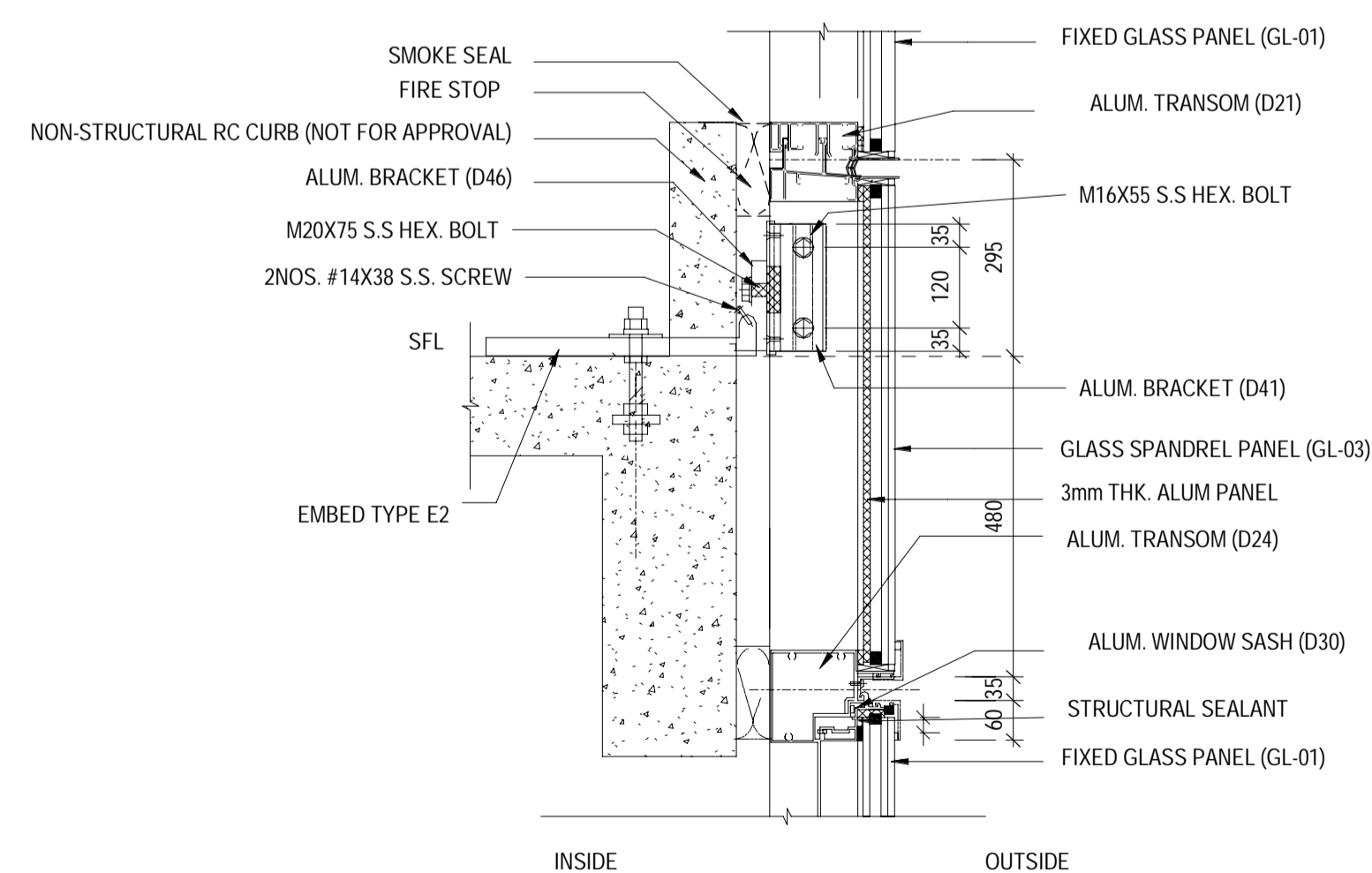
BD's OFFICIAL USE

90mm (W) x 150mm (H) space  
for BD's approval stamp /  
certification of copies of  
approved plans  
(PNAP ADM-10 APP A)

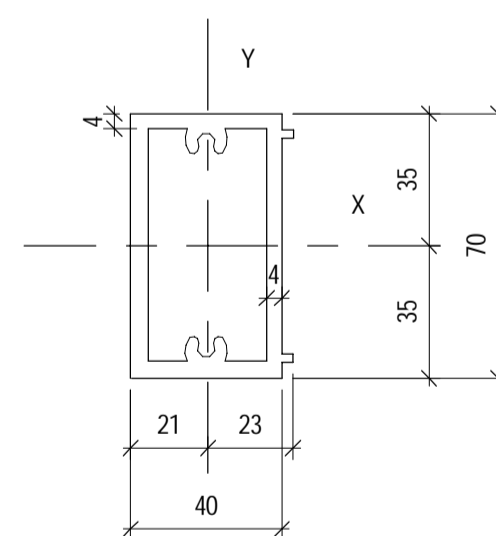
This is an example of demonstrating the presentation of drawings generated from BIM according to the Standard and User Guides ONLY. It does NOT represent the completeness of Submission Drawings under BD's approval requirement of Statutory Plans. The BD approval requirements should refer to other relevant references and remain unchanged no matter whether BIM is used or not used for the preparation of Statutory Plans.



1 5/F CAST-IN LAYOUT PART PLAN (FLAT B)  
1 : 25

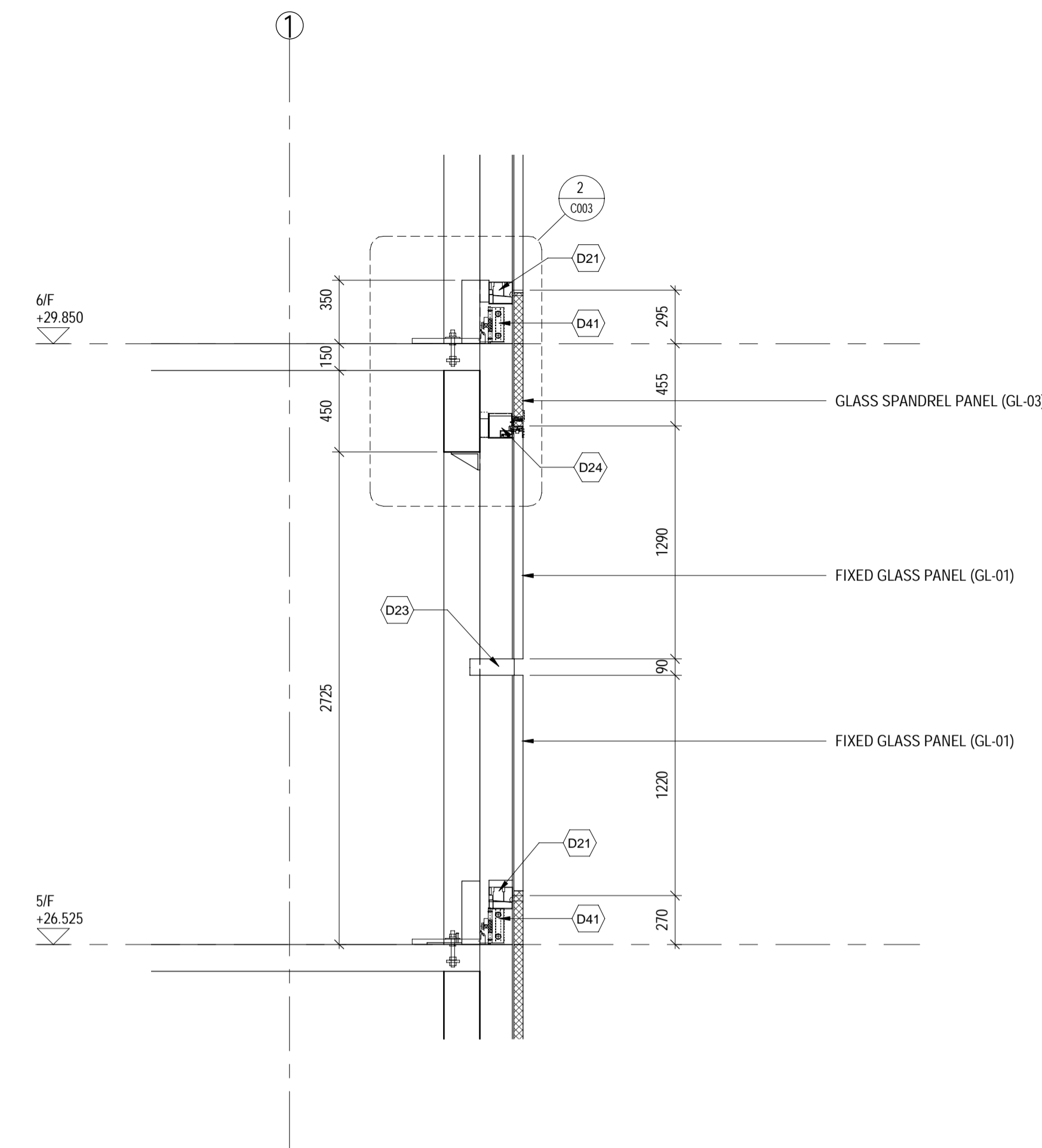


2 TYPICAL TRANSOM FIXING DETAIL  
1 : 10

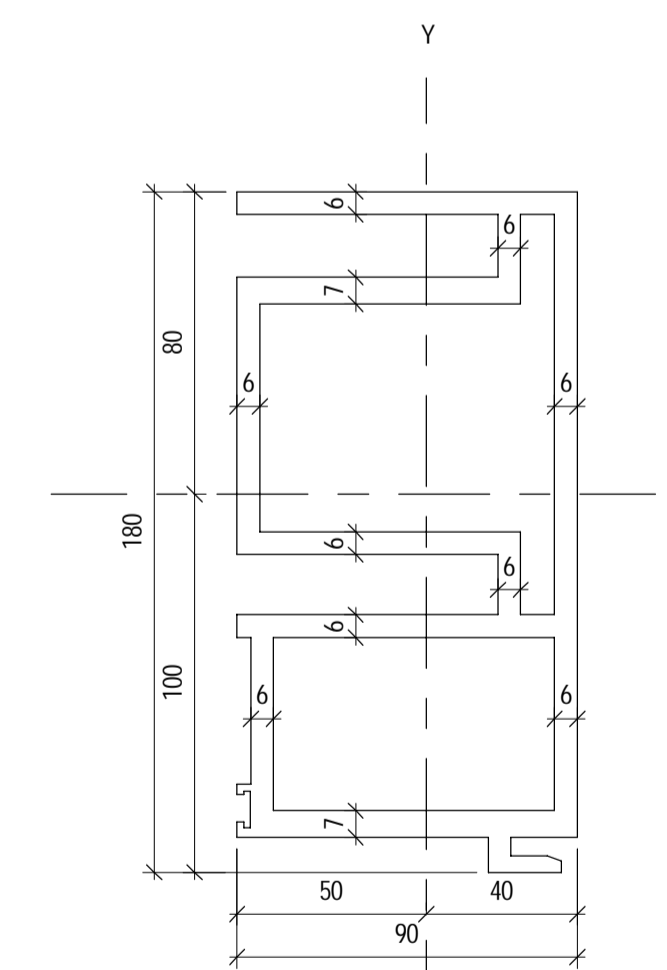


D1 ALUM. TRANSOM	SECTION PROPERTY
ALLOY	6063-T6
Area (mm <sup>2</sup> )	922.5
Moments of inertia - X (mm <sup>4</sup> )	592951
Moments of inertia - Y (mm <sup>4</sup> )	211886
Radii of gyration - X (mm)	25
Radii of gyration - Y (mm)	15
elastic Modulus - Zx (mm <sup>2</sup> )	I/y - max = 16941
elastic Modulus - Zy (mm <sup>2</sup> )	I/x - max = 9326

3 TRANSOM DETAIL (D1)  
1 : 2



5 Section A  
1 : 25



D3 ALUM. MULLION	SECTION PROPERTY
ALLOY	6063-T6
Area (mm <sup>2</sup> )	2311.8
Moments of inertia - X (mm <sup>4</sup> )	4509546
Moments of inertia - Y (mm <sup>4</sup> )	629163
Radii of gyration - X (mm)	44
Radii of gyration - Y (mm)	16
elastic Modulus - Zx (mm <sup>2</sup> )	I/y - max = 63137
elastic Modulus - Zy (mm <sup>2</sup> )	I/x - max = 25172

4 MULLION DETAIL (D3)  
1 : 2

BD REF :  
BIM REF :

REV DATE AMENDMENT

PROJECT  
CIC SAMPLE PROJECT

DRAWING TITLE  
CURTAIN WALL CAST-IN LAYOUT PART PLAN

SCALE

DRAWING NO. C003 REV. NO.

SOURCE ---

90mm (W) x 40mm (H) space for COMPANY LOGO

90mm (W) x 60mm (H) space for AP/RSE/RGE's signature/ and stamp chop

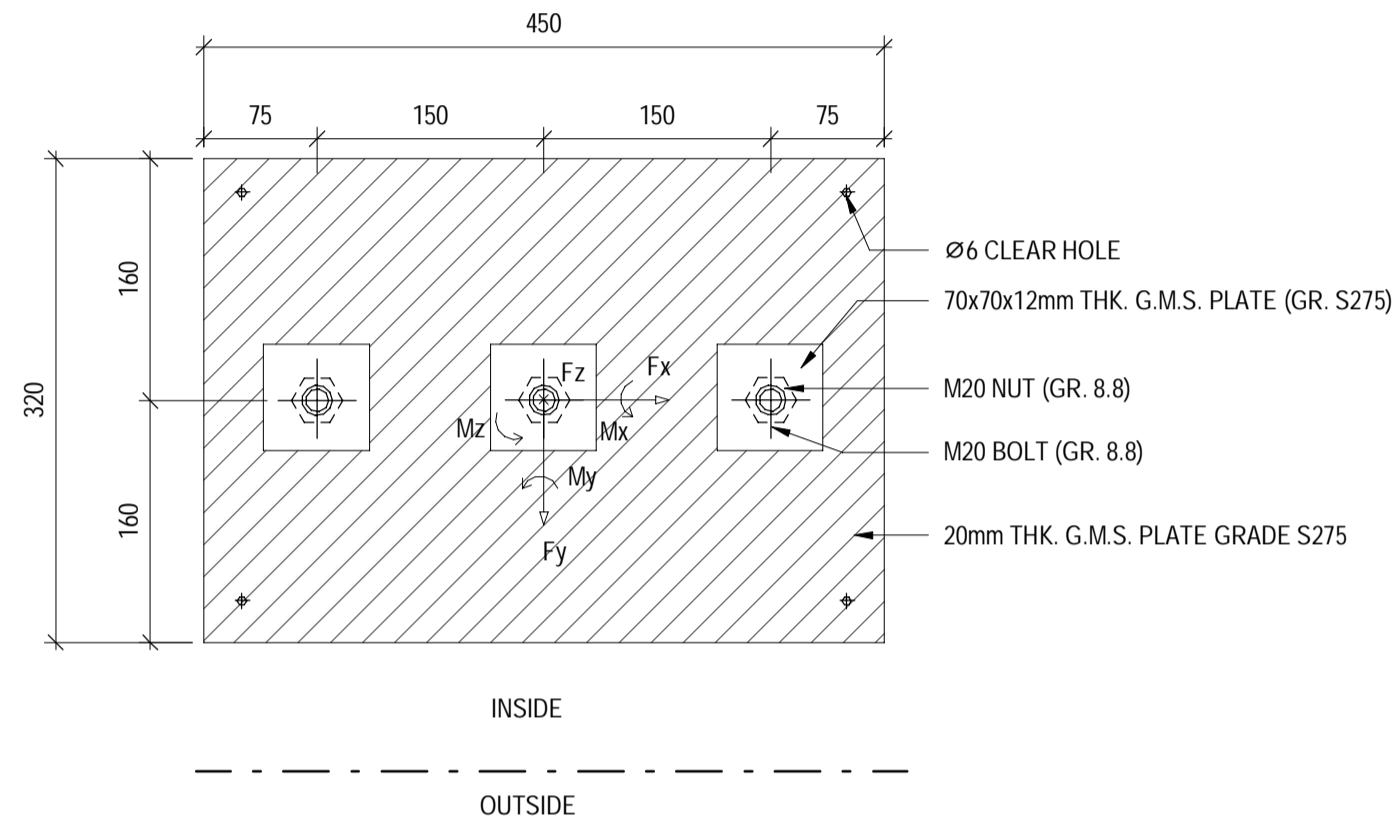
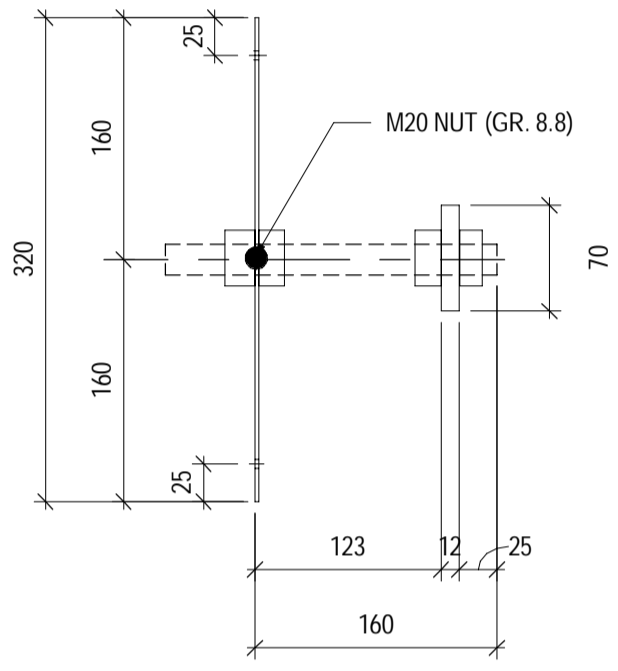
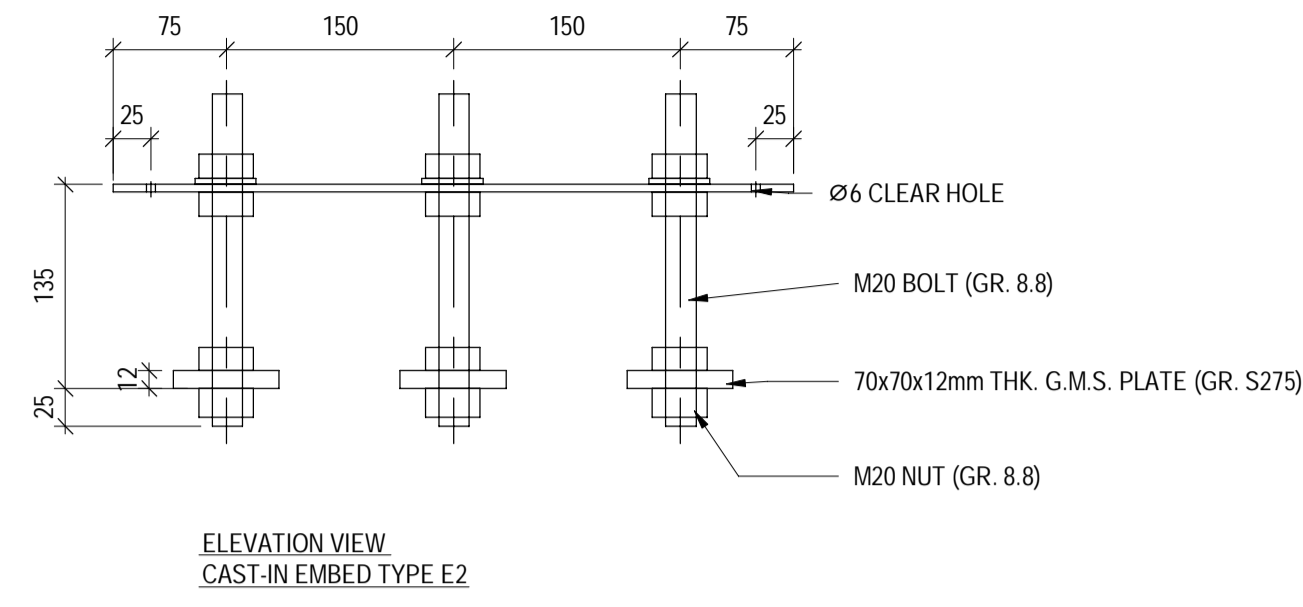
BD's OFFICIAL USE

90mm (W) x 150mm (H) space for BD's approval stamp / certification of copies of approved plans (PNAP ADM-10 APP A)

This is an example of demonstrating the presentation of drawings generated from BIM according to the Standard and User Guides ONLY. It does NOT represent the completeness of Submission Drawings under BD's approval requirement of Statutory Plans. The BD approval requirements should refer to other relevant references and remain unchanged no matter whether BIM is used or not used for the preparation of Statutory Plans.

	D.L.	W.L.
F <sub>x</sub> (kN)	0	0
F <sub>y</sub> (kN)	0	39.5
F <sub>z</sub> (kN)	-14	0
M <sub>x</sub> (kNm)	0.9	2
M <sub>y</sub> (kNm)	0	0
M <sub>z</sub> (kNm)	0	0

\* (W.L.) WIND LOAD ARE REVERSIBLE



1 EMBED E2 DETAIL  
1 : 5

BD REF :  
BIM REF :

REV	DATE	AMENDMENT

PROJECT  
CIC SAMPLE PROJECT

DRAWING TITLE  
EMBED DETAIL

SCALE

DRAWING NO. C004      REV. NO.

SOURCE ---

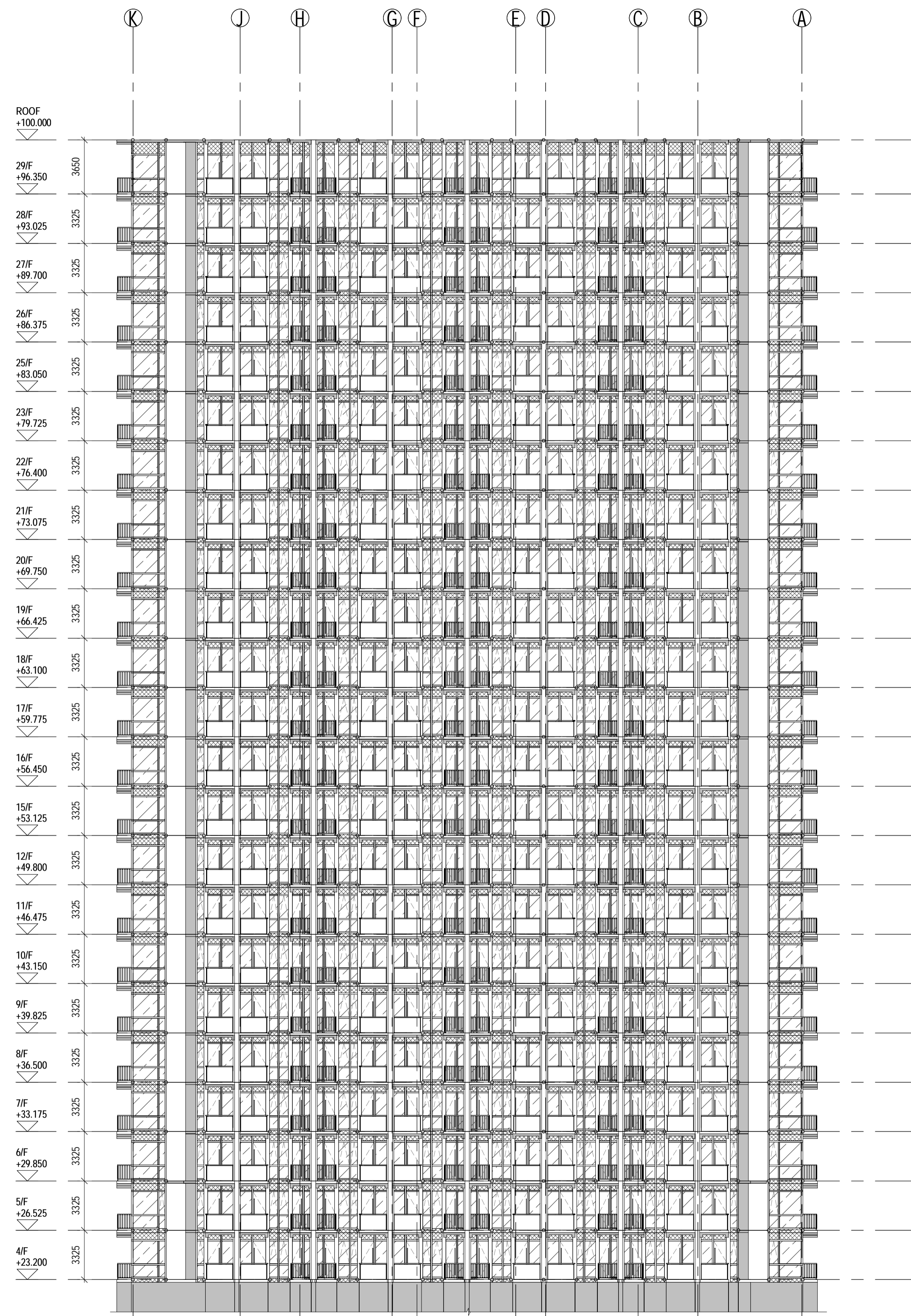
90mm (W) x 40mm (H) space  
for COMPANY LOGO

90mm (W) x 60mm (H) space  
for AP/RSE/RGE's  
signature/ and stamp chop

BD'S OFFICAL USE

90mm (W) x 150mm (H) space  
for BD's approval stamp /  
certification of copies of  
approved plans  
(PNAP ADM-10 APP A)

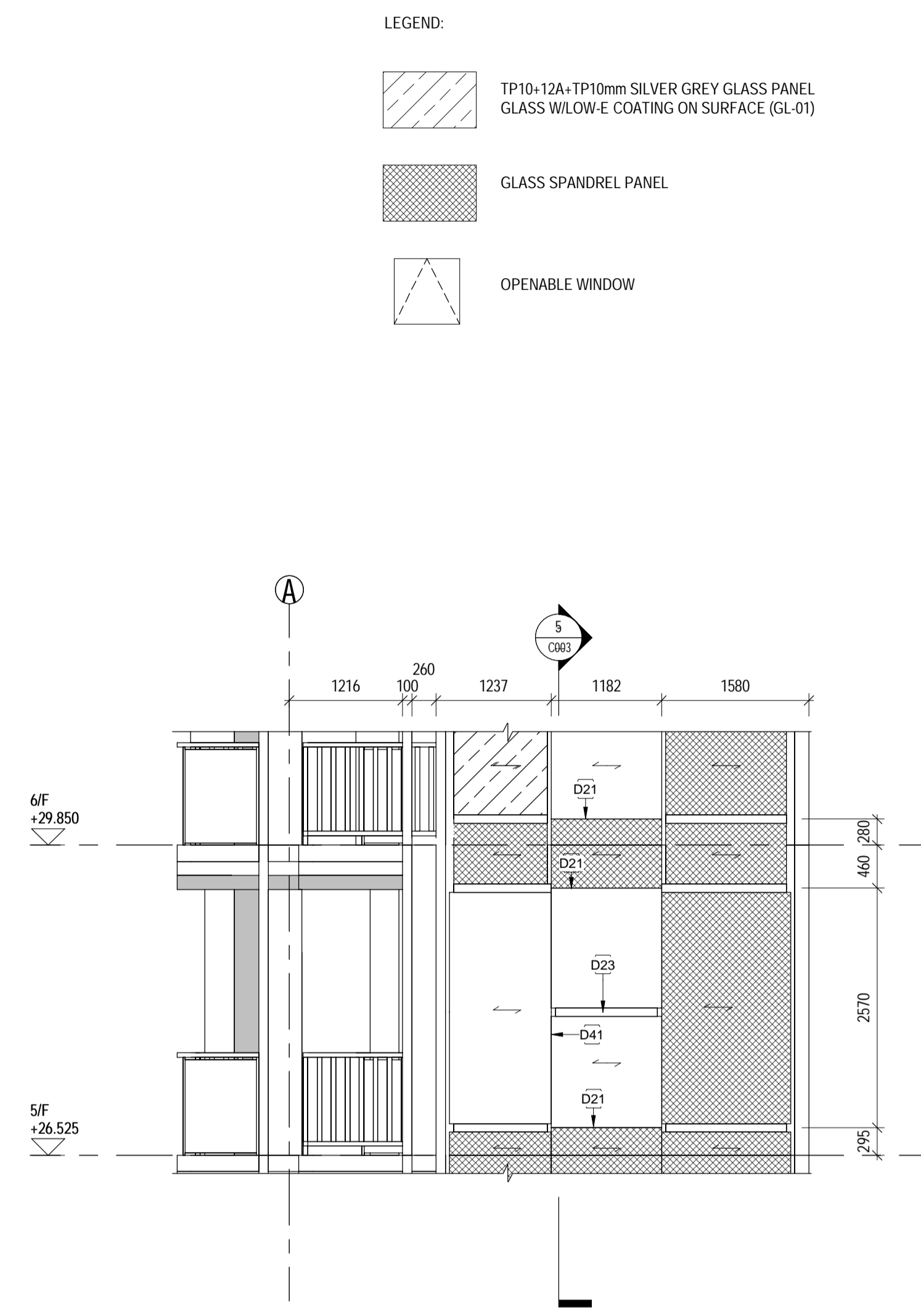
This is an example of demonstrating the presentation of drawings generated from BIM according to the Standard and User Guides ONLY. It does NOT represent the completeness of Submission Drawings under BD's approval requirement of Statutory Plans. The BD approval requirements should refer to other relevant references and remain unchanged no matter whether BIM is used or not used for the preparation of Statutory Plans.



1 ELEVATION 1  
1 : 200



2 ELEVATION 2  
1 : 200



3 PARTIAL ELEVATION  
1 : 50

BD REF : BIM REF :
REV : DATE : AMENDMENT :
PROJECT CIC SAMPLE PROJECT
DRAWING TITLE CURTAIN WALL ELEVATIONS AND SECTIONS
SCALE AS SHOWN@A1
DRAWING NO. C005 REV. NO. :
SOURCE ---
90mm (W) x 40mm (H) space for COMPANY LOGO
90mm (W) x 60mm (H) space for AP/RSE/RGE's signature/ and stamp chop
BD'S OFFICIAL USE
90mm (W) x 150mm (H) space for BD's approval stamp / certification of copies of approved plans (PNAP ADM-10 APP A)